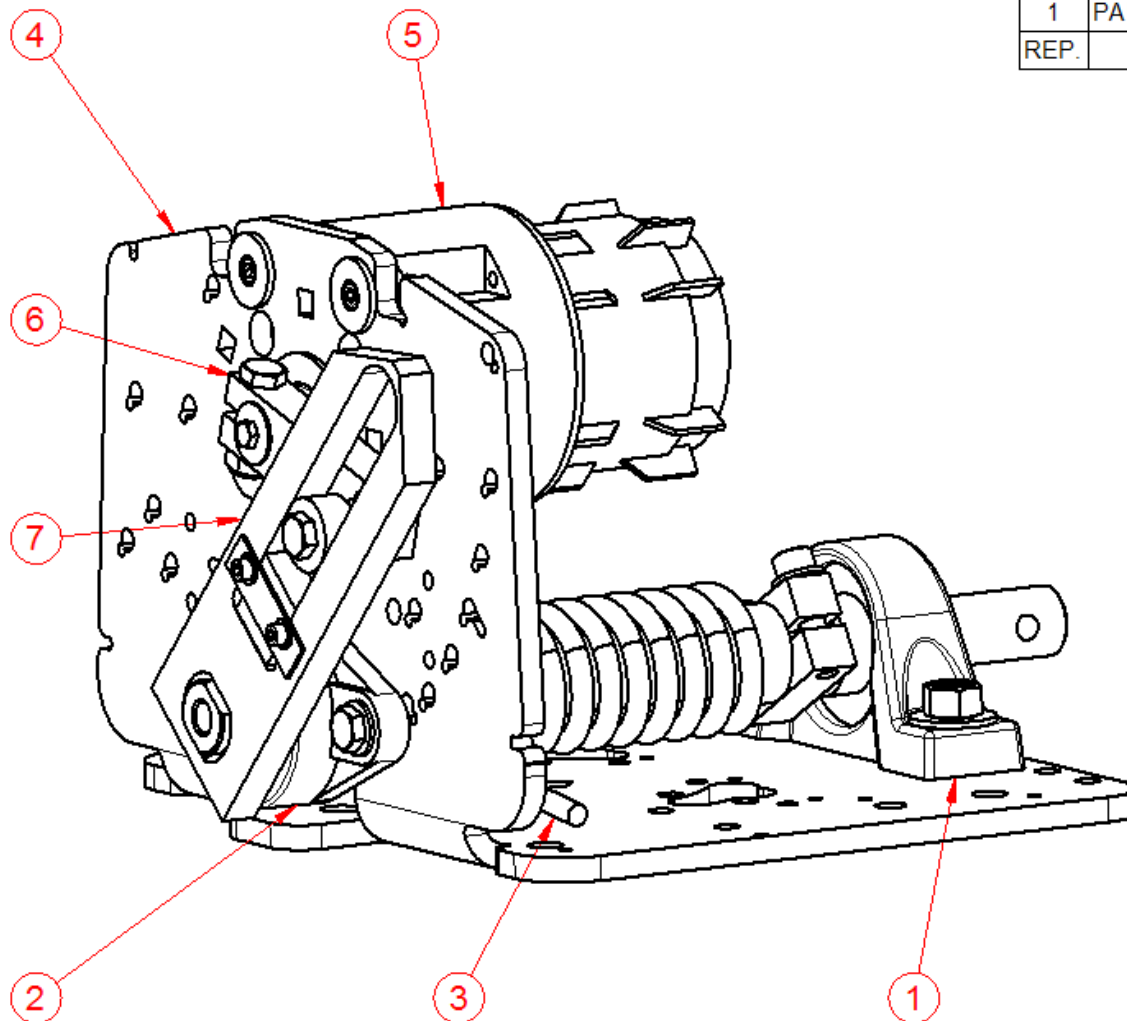


| | | | |
|------|-----------------------------|-----|---------------|
| 7 | ARBRE/BIELLE PREPARE (70Sh) | 1 | ARBRE_016P |
| 6 | MANETON PREPARE | 1 | MANETON_005P4 |
| 5 | MOTEUR PREPARE | 1 | MOTEUR_017P3 |
| 4 | PLATINE UNIVERSELLE | 1 | PLATINE_023P1 |
| 3 | RESSORT 3M BRAS A D. | 1 | RESSORT_007P |
| 2 | PALIER APPLIQUE PREPARE | 1 | ROULEM_009P2 |
| 1 | PALIER A SEMELLE PREPARE | 1 | ROULEM_010P |
| REP. | DESIGNATION | NB. | CODE ARTICLE |



TETE_MECA_001PD