

A14C4

Communicating Single-Phase Residential Meter



► A14C4 multi-tariff meter

Especially designed for residential customers, the A14C4 single-phase meter is for direct connected supplies of less than 18kVA.

Equipped with an integrated remote control receiver and two output relays, it offers multi-tariffication and load shedding functions.

Subscribed power tariffs can be programmed:

- Locally with push buttons
- Remotely with Euridis Bus.

Communications

Remote Reading

A14C4 meters can be read remotely via a hand held unit (HHU) using a communication bus with the Euridis Protocol (Standard CEI 1142, then CEI 62056-3). This function allows up to 100 meters connected to the same communication bus to be read, with a guarantee of permanent and quick data access for the utility.

The remote readings are reliable and data can be transferred quickly to the billing system.

In addition, information such as meter operation, tampering and excursions from contracted power limits is collected.

Remote Customer Information Link

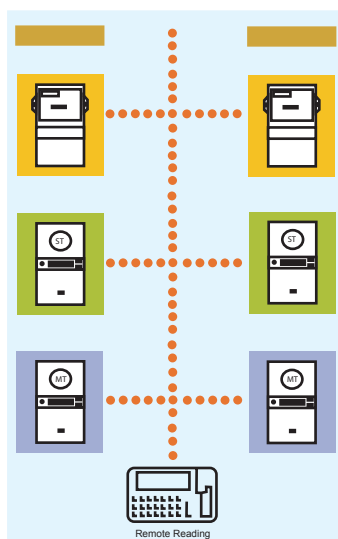
The Remote Customer Information Link output transfers data in a continuous stream allowing the customer to better manage consumption, compared to subscribed contract:

- Subscribed, maximum and instantaneous current
- Alarm on subscribed power excursion.

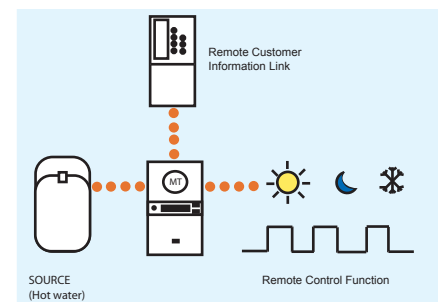
The customer's contract can be further optimised using the load shedding relays.

Moreover, this output link delivers:

- kWh index for each tariff
- Current tariff period
- Upcoming tariff.



► Remote Reading



► Remote Customer Information Link



Remote control function

The multi-tariff A14C4 meter integrates the receiving and decoding of Ripple Control commands, received via the electrical network.

These commands allow for Day, Night and Temporary tariffication options:

- The transfer of the meter reading in each tariff period

- The transmission to the customer of the current tariff period
- Two controlled contacts are provided for the consumer. Each is protected by accessible fuses.

The associated functions of these options are controlled by the tariff option, chosen by the utility.

Technical Specifications

Accuracy class	Class 2 for active energy (CEI 1036)
Standards	HR 23/96/042/
Meter type	Single phase 230 V - 50 Hz
Current	Basic (I b) = 10 A - Maximum (I max) = 90 A
Meter constant	1000 pulses/kWh
Connection	USE Symmetrical
Communications	Remote Reading and programming with Euridis bus Remote Customer Information Link Ripple Control
Tariff options	4 options with 1 to 6 tariffs
Relay output	2 A / 250 V a.c.
Mounting	Rail DIN
Degree of protection	IP 51 case
Size	180 x 122.5 x 65 mm
Nominal temperature range	-20°C to +60°C
Ripple Control	Pulsadis Code 40 commands or 50 commands 167 to 217 Hz
Display	LCD 6 digits + icons

Actaris S.p.A.

ZI de Chasseneuil - Avenue des Temps Modernes
86361 Chasseneuil du Poitou cedex - France
For more information, www.actaris.com

tel +33 5 49 62 70 00
fax +33 5 49 62 70 89