

INSTALLATION GUIDE

DIN Rail Mounting Kit

The DIN rail mounting kit (part number 779689-01) is an accessory you can use to mount many NI devices to a standard DIN rail. Devices such as the NI USB-513x, NI ENET-9xxx, NI WLS-9xxx, and NI USB-621x Mass Termination/Screw Terminal have unthreaded screw holes that accept thread-forming screws. Devices including NI External Instrument Controllers/Isolators have threaded screw holes that accept machine screws. To identify which screws to use with your device, turn the device over and compare the screw holes to those shown in Figure 1.

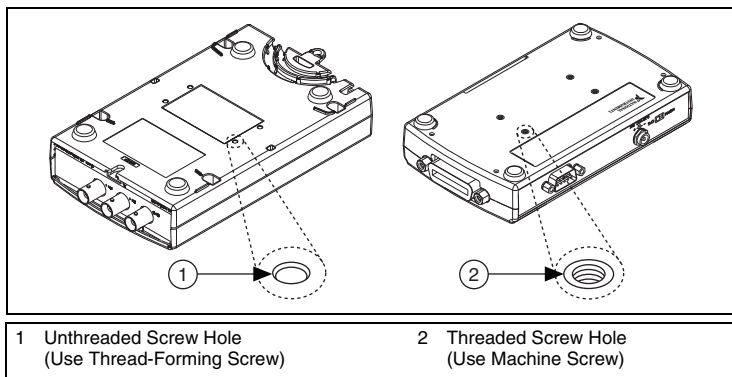


Figure 1. Device Screw Hole Types

- If your device has unthreaded screw holes, refer to the [Installing on Devices with Thread-Forming Screws](#) section.
- If your device has threaded screw holes, refer to the [Installing on Devices with Machine Screws](#) section.

Installing on Devices with Thread-Forming Screws

Complete the following steps to install the DIN rail mounting kit on the device.

1. Fasten the DIN rail clip to the device using a #1 Phillips screwdriver and four thread-forming screws (part number 740872-01), included in the DIN rail mounting kit. Tighten the screws to a torque of $0.76 \text{ N} \cdot \text{m}$ ($6.7 \text{ lb} \cdot \text{in.}$). Figure 2 shows a DIN rail clip being attached to the device.



Note Using the thread-forming screws permanently affixes the DIN rail clip to the device. Unscrewing and reinstalling the thread-forming screws will produce a compromised connection between the DIN rail clip and the device.

If your device has additional screw positions, you can remove it from the DIN rail clip and still ensure a solid connection by reattaching it in the alternative orientation described in the [Additional Mounting Configuration](#) section.

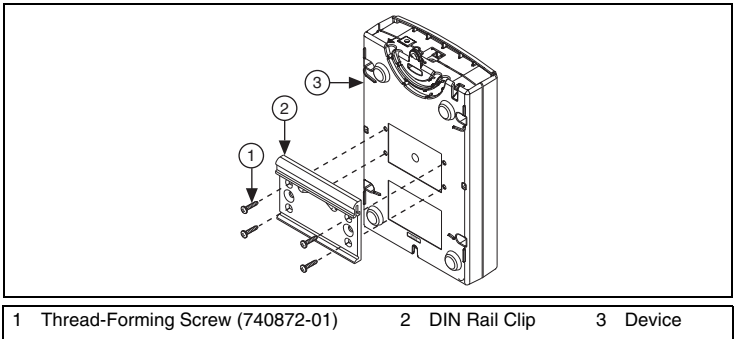
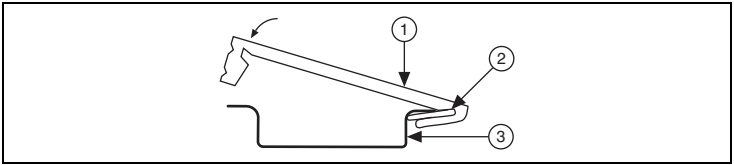


Figure 2. Attaching the DIN Rail Clip to a Device in a Vertical Orientation

2. Clip the device onto the DIN rail as shown in Figures 3 and 4.



1 DIN Rail Clip

2 DIN Rail Spring

3 DIN Rail

Figure 3. DIN Rail Clip Parts Locator Diagram

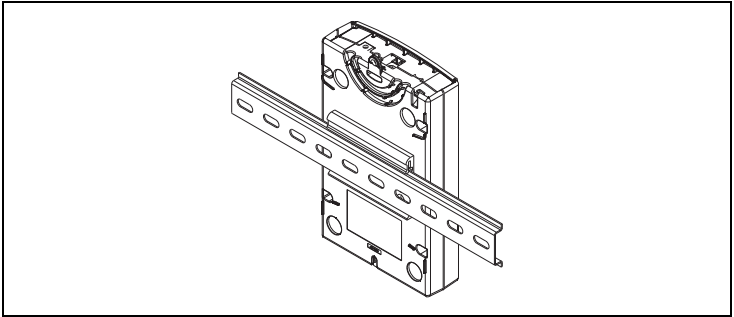
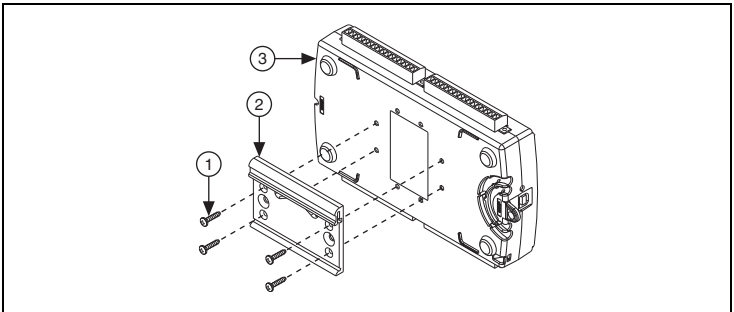


Figure 4. Device Mounted on a DIN Rail

Additional Mounting Configuration

Figure 5 shows an additional configuration option you can use to mount the NI ENET-9xxx, NI WLS-9xxx, NI USB-621x Screw Terminal/Mass Termination, or other devices with additional screw positions, to a DIN rail.



1 Thread-Forming Screw (740872-01)

2 DIN Rail Clip

3 Device

Figure 5. Attaching the DIN Rail Clip to a Device in a Horizontal Orientation

Installing on Devices with Machine Screws

Complete the following steps to install the DIN rail mounting kit on the device.

1. Fasten the DIN rail clip to the device using a #1 Phillips screwdriver and four machine screws (part number 740981-01), included in the DIN rail mounting kit. Tighten the screws to a torque of $0.4 \text{ N} \cdot \text{m}$ ($3.6 \text{ lb} \cdot \text{in.}$). Figure 6 shows a DIN rail clip being attached to the device.

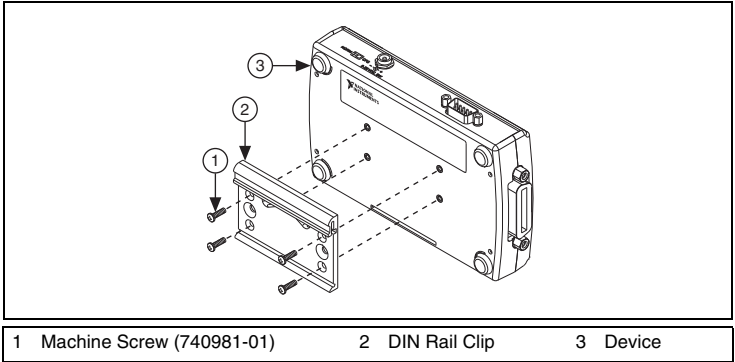


Figure 6. Attaching the DIN Rail Clip to a Device

2. Clip the device onto the DIN rail as shown in Figures 3 and 7.

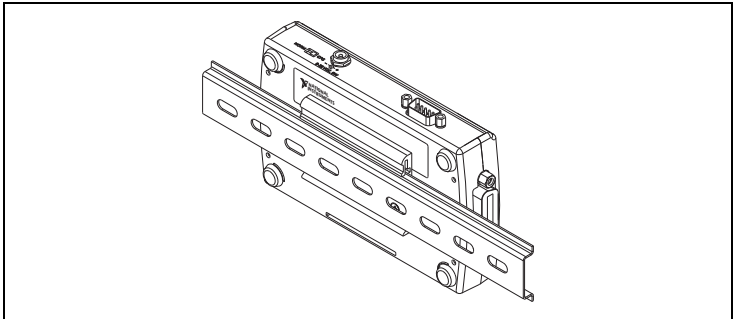


Figure 7. Device Mounted on a DIN Rail

National Instruments, NI, ni.com, and LabVIEW are trademarks of National Instruments Corporation. Refer to the *Terms of Use* section on ni.com/legal for more information about National Instruments trademarks. Other product and company names mentioned herein are trademarks or trade names of their respective companies. For patents covering National Instruments products/technology, refer to the appropriate location: **Help»Patents** in your software, the `patents.txt` file on your media, or the *National Instruments Patent Notice* at ni.com/patents.

© 2006–2009 National Instruments Corp. All rights reserved.